

tink.r.2™ spec sheet 90CRI

spine
 extruded aluminum available in powder coat painted finishes listed below.

diffuser
 proprietary extruded frosted acrylic with 80% transmission and excellent LED diffusion.

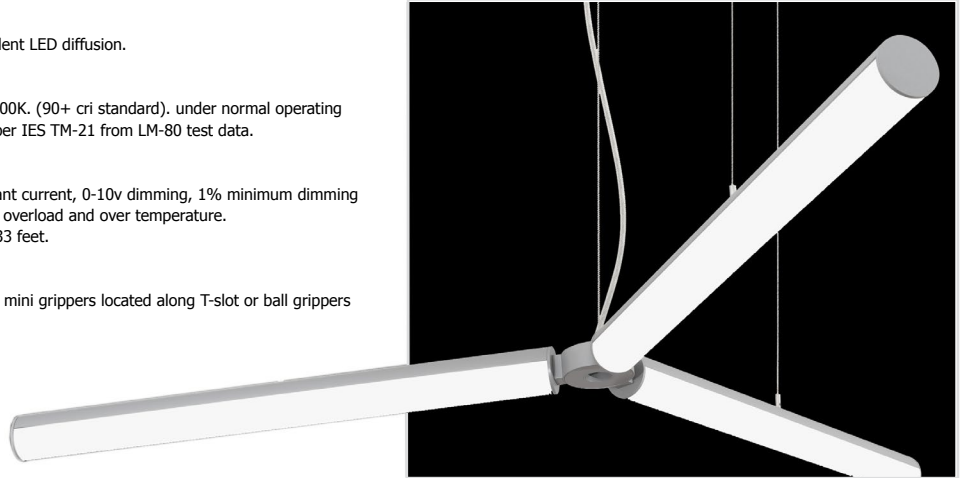
LED module
 premium architectural grade flexible LED PCB in 3000K, 3500K, or 4000K. (90+ cri standard). under normal operating conditions, the LEDs employed are rated for >50,000hrs L70 (6.8K) per IES TM-21 from LM-80 test data.

driver
 programmable, UL class P, class 2, universal input (120-277v), constant current, 0-10v dimming, 1% minimum dimming level, PF > .9, THD <20%, protections include open and short circuit, overload and over temperature. remote driver enclosure standard. consult factory for distances over 33 feet.

mounting
 satin white canopies with ultra-thin aircraft cables, field-adjustable at mini grippers located along T-slot or ball grippers located at hubs. ultra thin silver braid power cord standard.

finish
 select from 4 standard powder coat paint finishes listed below. consult factory for RALs and custom colors

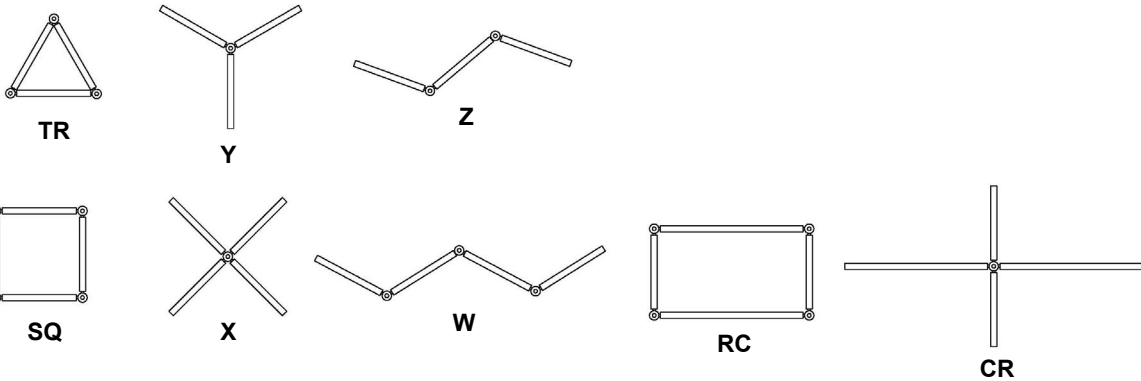
emergency
 recommend use of inverter (by other).

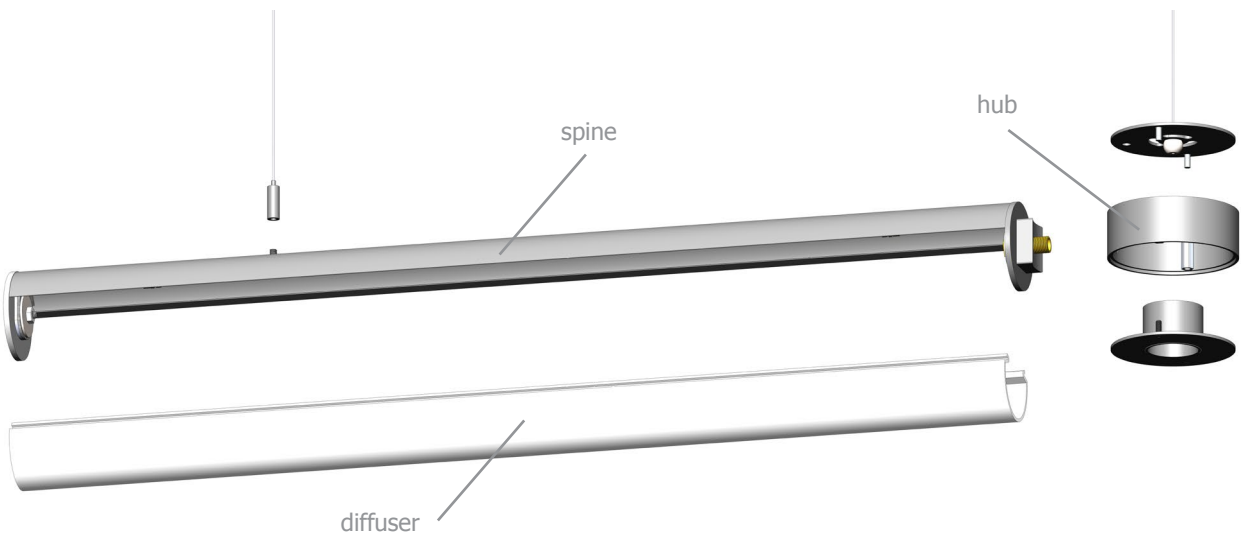
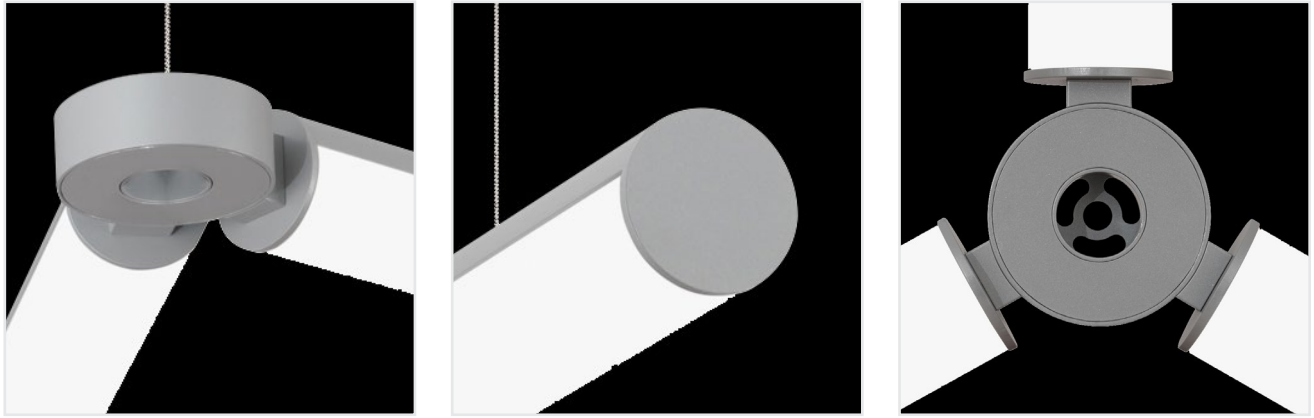


catalog number

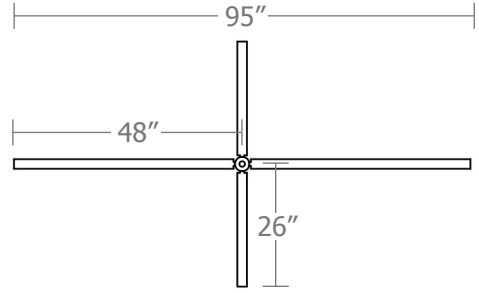
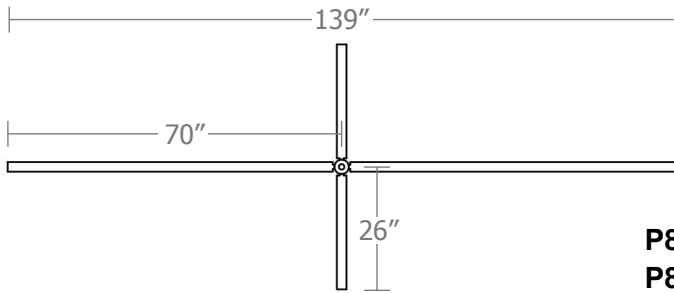
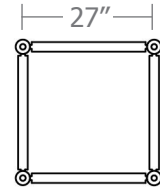
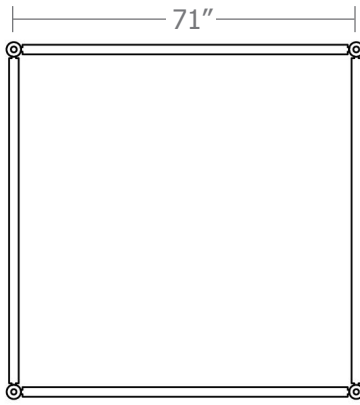
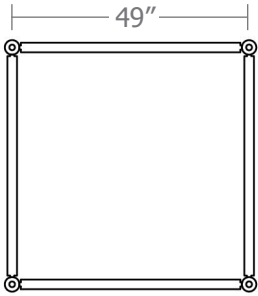
size	configuration	CCT	lumens	painting finishes	suspension	driver location
P8524.LV 2"dia X 24"l legs	TR triangle Y 3 x 120° Z 3-leg zig zag SQ square X 4 x 90° W 4-leg zig zag	30 3000K 35 3500K 40 4000K	LO 400 lm/ft HI 800 lm/ft	FB flat black MW matte white SS satin silver TG textured gray	3FT 36" cables 6FT 72" cables	RDVR remote enclosure (standard) CDVR surface-mounted canopy

size	configuration	CCT	lumens	painting finishes	suspension	driver location
P8548.LV 2"dia X 48"l legs	TR triangle Y 3 x 120° Z 3-leg zig zag	30 3000K 35 3500K 40 4000K	LO 400 lm/ft HI 800 lm/ft	FB flat black MW matte white SS satin silver TG textured gray	3FT 36" cables 6FT 72" cables	RDVR remote enclosure (standard) CDVR surface-mounted canopy
P8572.LV 2"dia X 72"l legs	SQ square X 4 x 90° W 4-leg zig zag CR cross RC rectangle					

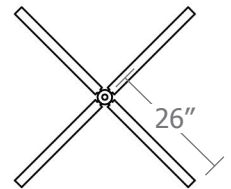
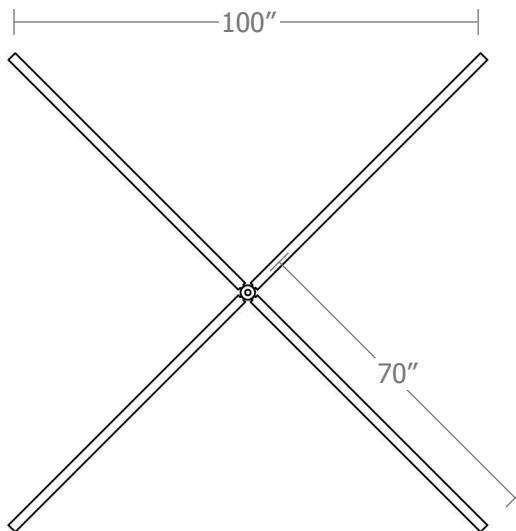
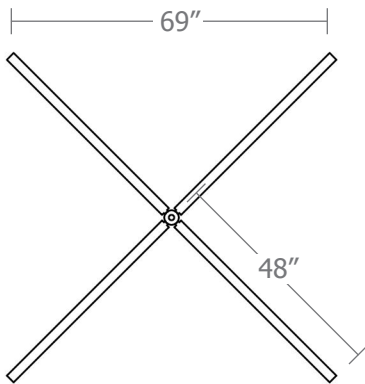




P8524.LV-SQ
P8548.LV-SQ
P8572.LV-SQ

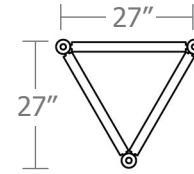
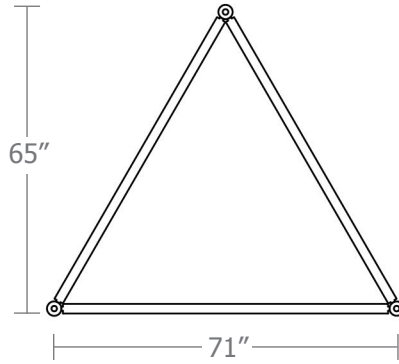
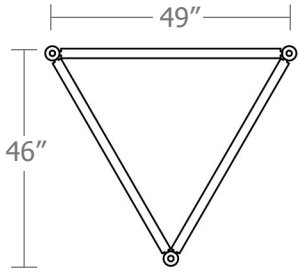


P8548.LV-CR
P8572.LV-CR

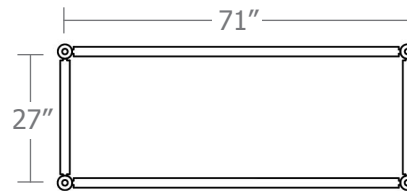
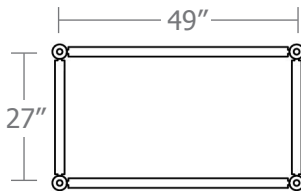


P8524.LV-X
P8548.LV-X
P8572.LV-X

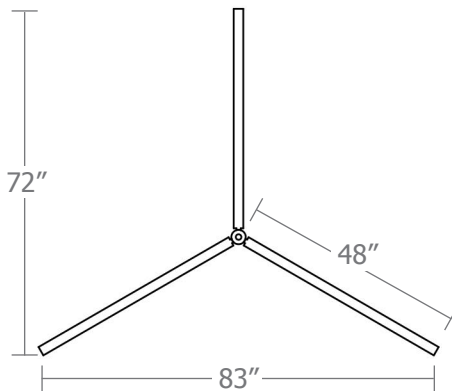




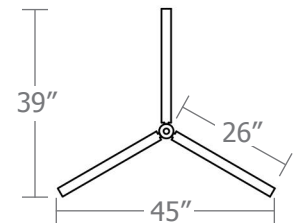
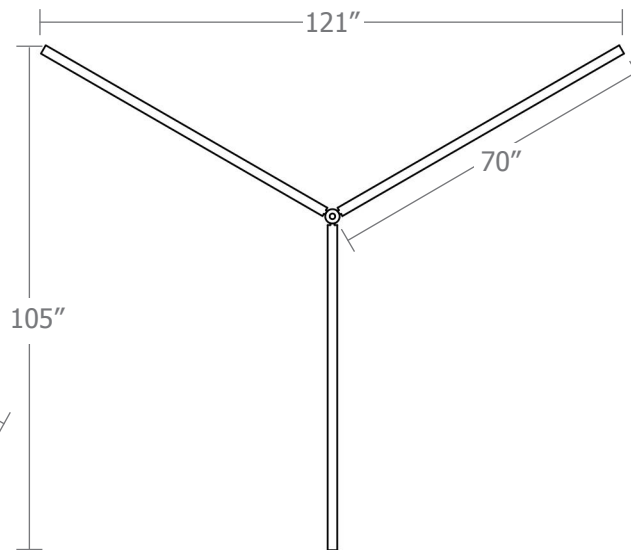
P8524.LV-TR
P8548.LV-TR
P8572.LV-TR



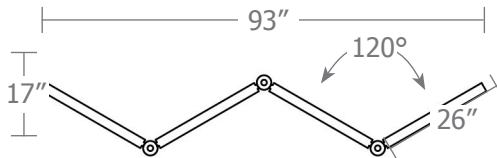
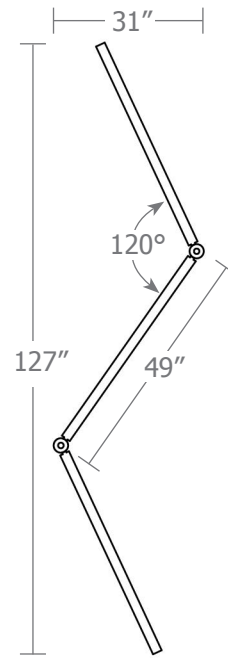
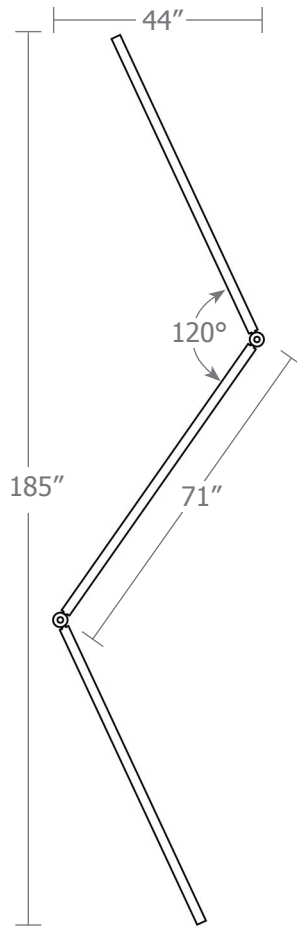
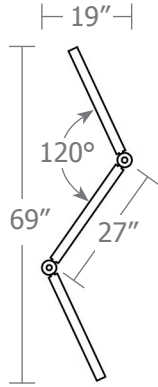
P8548.LV-RC
P8572.LV-RC



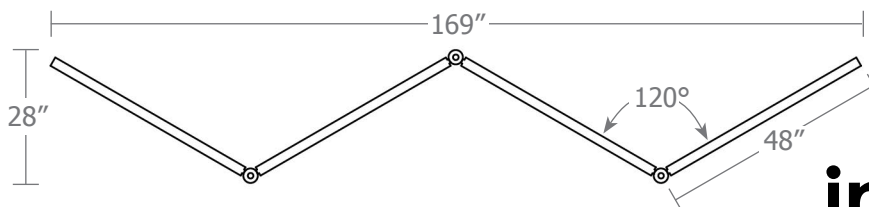
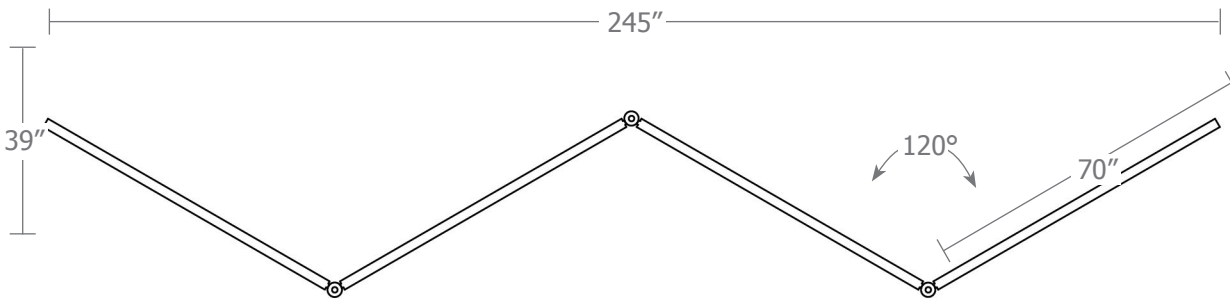
P8524.LV-Y
P8548.LV-Y
P8572.LV-Y



P8524.LV-Z
P8548.LV-Z
P8572.LV-Z



P8524.LV-W
P8548.LV-W
P8572.LV-W



Calculation Table

Tests are for each element separately and must be "stacked" to represent single fixture
 Consult factory for applications assistance

The application of a Light Loss Factor is required to:

- match the lumen output for the power module specified
- incorporate the increased lumen output due to LED/Driver upgrades

Cat No	Delivered* Lumens	Watts 120V/277V	IES File #	LLF to be applied
P8524-TR LO	2400	26	12231TR24	0.50
P8524-TR HI	4800	52	12231TR24	1.01
P8548-TR LO	4800	53	12231TR48	0.50
P8548-TR HI	9600	105	12231TR48	1.01
P8572-TR LO	7200	79	12231TR72	0.50
P8572-TR HI	14400	157	12231TR72	1.01
P8524-Y LO	2400	26	12231Y24	0.49
P8524-Y HI	4800	52	12231Y24	0.98
P8548-Y LO	4800	52	12231Y48	0.49
P8548-Y HI	9600	104	12231Y48	0.98
P8572-Y LO	7200	79	12231Y72	0.49
P8572-Y HI	14400	157	12231Y72	0.98
P8524-Z LO	2400	26	12231Z24	0.50
P8524-Z HI	4800	53	12231Z24	1.01
P8548-Z LO	4800	53	12231Z48	0.50
P8548-Z HI	9600	105	12231Z48	1.01
P8572-Z LO	7200	79	12231Z72	0.50
P8572-Z HI	14400	158	12231Z72	1.01

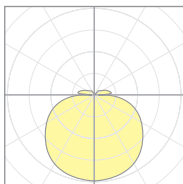
** For configurations without an IES test, use **-LEG** below to build specified configuration. Consult Factory for assistance.

P8524-LEG LO	800	9	12231LEG24	0.49
P8524-LEG HI	1600	18	12231LEG24	0.99
P8548-LEG LO	1600	18	12231LEG48	0.49
P8548-LEG HI	3200	35	12231LEG48	0.99
P8572-LEG LO	2400	26	12231LEG72	0.49
P8572-LEG HI	4800	53	12231LEG72	0.99

bold IES File # indicates actual test, others are derived from the actual tests

Cat No	Delivered* Lumens	Watts 120V/277V	IES File #	LLF to be applied
P8548-CR LO	4800	53	**	
P8548-CR HI	9600	105	**	
P8572-CR LO	6400	70	**	
P8572-CR HI	12800	140	**	
P8548-RC LO	4800	50	12231RC48	0.56
P8548-RC HI	9600	100	12231RC48	1.11
P8572-RC LO	6400	70	**	
P8572-RC HI	12800	140	**	
P8524-SQ LO	3200	33	12231SQ24	0.56
P8524-SQ HI	6400	67	12231SQ24	1.11
P8548-SQ LO	6400	67	12231SQ48	0.56
P8548-SQ HI	12800	133	12231SQ48	1.11
P8572-SQ LO	9600	100	12231SQ72	0.56
P8572-SQ HI	19200	200	12231SQ72	1.11
P8524-W LO	3200	35	**	
P8524-W HI	6400	70	**	
P8548-W LO	6400	70	**	
P8548-W HI	12800	140	**	
P8572-W LO	9600	105	**	
P8572-W HI	19200	210	**	
P8524-X LO	3200	33	12231X24	0.52
P8524-X HI	6400	67	12231X24	1.04
P8548-X LO	6400	67	12231X48	0.52
P8548-X HI	12800	133	12231X48	1.04
P8572-X LO	9600	101	12231X72	0.52
P8572-X HI	19200	201	12231X72	1.04

* delivered lumens based on 4000K, 90CRI

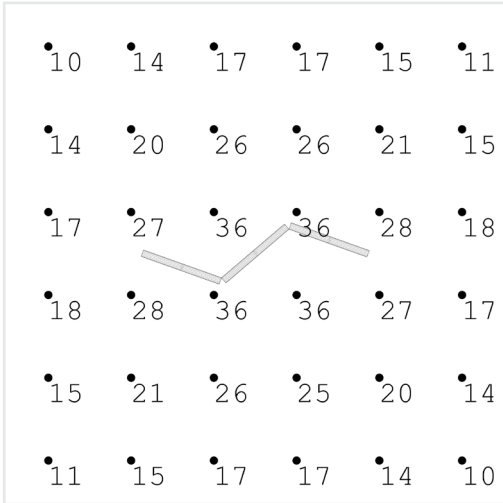


12231
P8524 TR 40 HI



Typical Lighting Layout

- 12' x 12' x 10'H space
- 80/50/20 reflectances
- bottom of fixture at 8' aff
- FC readings at 2.5' aff
- layout conducted using HI lumen package (4800 delivered lumens)

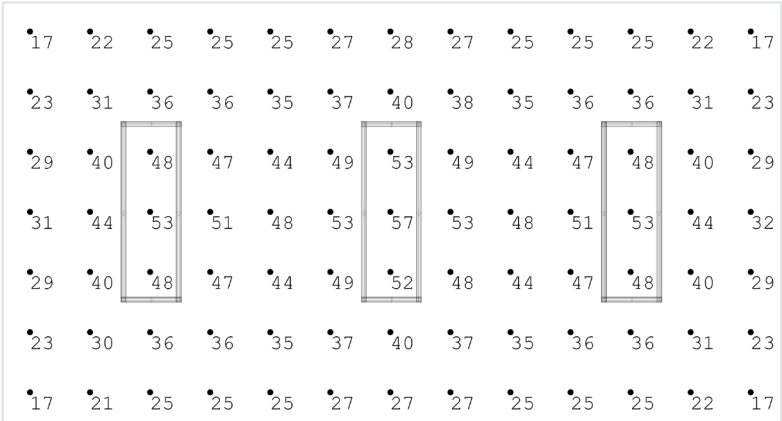


Schedule							
Symbol	Qty	Tag	Manufacturer	Description	Lamp	LLF	Wattage
	1	P8524.LV-Z-40HI	IMPACT ARCHITECTURAL LIGHTING	tink.r.2	4000K, 90CRI LED	0.980	52.5

Statistics					
Description	Avg	Max	Min	Max/Min	Avg/Min
tink.r.2 Z configuration	20.4fc	36 fc	10 fc	3.60	2.04

Typical Lighting Layout

- 26' x 14' x 12'H space
- 80/50/20 reflectances
- bottom of fixture at 10' aff
- FC readings at 2.5' aff
- layout conducted using (3) 2x6 RC LO lumen package (6400 delivered lumens each)

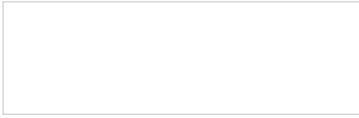


Schedule							
Symbol	Qty	Tag	Manufacturer	Description	Lamp	LLF	Wattage
	3	P8572.LV-RC-40HI	IMPACT ARCHITECTURAL LIGHTING	tink.r.2	4000K, 90CRI LED	0.490	420

Statistics					
Description	Avg	Max	Min	Max/Min	Avg/Min
tink.r.2 RC configuration	35.6 fc	57 fc	17fc	3.35	2.09



Powder Coat Paint Finishes



MW matte white



FB flat black

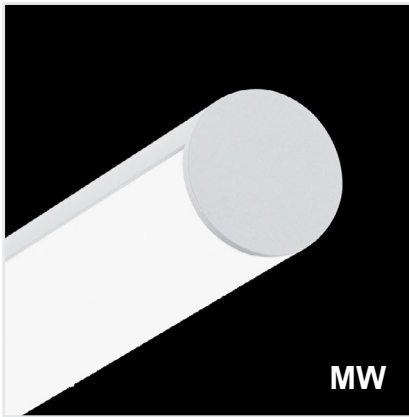


TG textured gray

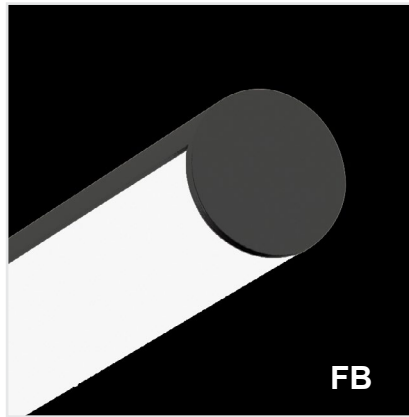


SS satin silver

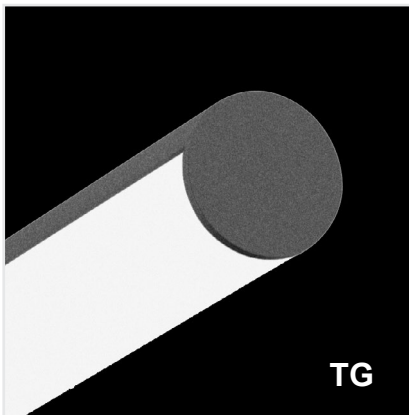
For accurate color verification, actual finish samples are available upon request.



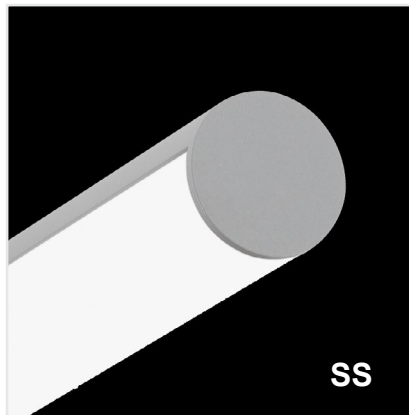
MW



FB



TG



SS